

White Color Version

## Easy to See! Easy to Hear!

### Large LCD (27 x 43mm)

A large LCD is incorporated into the design allowing easy viewing of the large channel display and the scrolling 10-character channel name system—even in direct sunlight, or when water has splashed on the screen. In addition, the 4-step amber backlighting for the LCD and switch illumination, allows the set to be seen in low-light conditions.



The photo shows actual display size.

### Compact Front Panel

The IC-M401EURO has a flush mount body and compact front panel making it ideal for installation in a steering panel or bulkhead. The front panel design is well organized and contains well-labelled switches and controls providing simple operation even in the roughest weather conditions.

### Waterproof Protection

The IC-M401EURO, including the microphone and the optional DS-100 have waterproof protection, equivalent to JIS waterproof specification grade 7\*.

\* 1m depth for 30 minutes; except cables.

### Superior

#### Audio with Large Speaker

A newly designed large speaker grille gives excellent audio quality from the front-mounted speaker. This results in clear reception, even over wind or engine noise.

#### Optional ITU Class-D DSC Controller, DS-100

If you are really concerned about DSC operation not only for "Distress" situations, but also for private ship-to-ship calls, a clear display and functional controls are very important. The DS-100 has a 168-character display that shows full dot-matrix characters with clarity. Large, clearly labeled controls allow you to easily make routine individual, group and all ships calls. Up to 40 received messages (20 distress and 20 other calls) are stored and a total 70 address ID's (individual and Group ID) can be programmed.

#### And More

- Dual and tri-watch functions for monitoring Ch.16 and/or another channel, while receiving on another channel
- Supplied remote function mic. for instant channel selection
- Up to 22 free programmable channels
- Simple and easy tag scanning system
- Black or white color variations

## SPECIFICATIONS

### GENERAL

- Frequency range : Tx 156.025–157.425MHz (156.000–161.450MHz)\*  
Rx 156.025–162.025MHz (156.000–163.425MHz)\*
- \* Frequency range that may be subject to licensing conditions.
- Type of emission : 16K0G3E (FM), 16K0G2B (DSC)
- Usable channels : All International and U.S.A.\* channels  
\* Available depending on version
- Power supply : 13.8V DC  $\pm$ 15%
- Current drain (at 13.8V DC):  
Tx high 6.0A max.  
Max. audio 1.2A max.
- Operating temp. range :  $-20^{\circ}\text{C}$  to  $+60^{\circ}\text{C}$
- Frequency stability :  $\pm$ 1.5kHz ( $-20^{\circ}\text{C}$  to  $+60^{\circ}\text{C}$ )
- Antenna connector : SO-239 (50 $\Omega$ )
- Dimensions : 153(W) $\times$ 67(H) $\times$ 141.6(D) mm (proj. not incl.)
- Weight (approx.) : 900g

### TRANSMITTER

- Output power : 25W or 1W (at 13.8V DC)
- Modulation system : Variable reactance phase mod.
- Max. Freq. deviation:  $\pm$ 5.0kHz
- Spurious emissions : 0.25 $\mu$ W

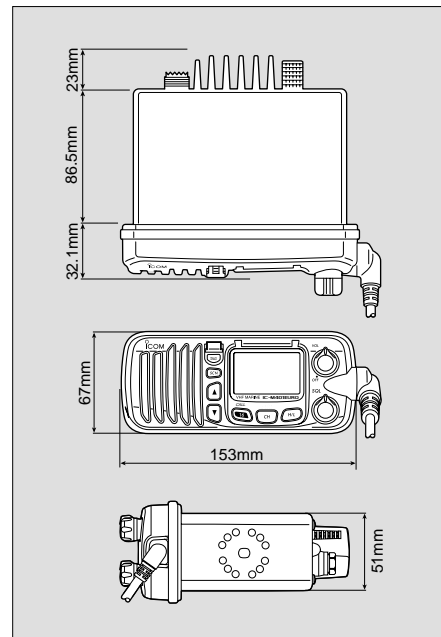
### RECEIVER

- Receive system : Double conversion superheterodyne
- Sensitivity : Less than  $-2\text{dB}\mu$  emf at 20dB SINAD
- Squelch sensitivity : Less than 0dB $\mu$  emf
- Intermod. rejection : More than 68dB
- Spurious response : More than 70dB
- Adj. Ch. selectivity : More than 70dB
- Audio output power : 2W at 10% distortion with a 4 $\Omega$  load

#### Supplied accessories:

- Hand microphone
- DC power cable
- Mounting bracket kit
- Spare fuses

Measurements made in accordance with EN 301 025.  
All stated specifications are subject to change without notice or obligation.



## OPTIONS



DS-100

### DS-100 DSC CONTROLLER UNIT (Ver. 02)

- Receive frequency : 156.525MHz (Ch 70)
- Type of reception : 16K0G2B (DSC)
- Operating temp. range :  $-20^{\circ}\text{C}$  to  $+60^{\circ}\text{C}$
- Antenna connector : SO-239 (50 $\Omega$ )
- Dimensions (proj. not incl.): 165(W) $\times$ 110(H) $\times$ 84.4(D) mm
- Weight (approx.) : 1.0kg
- Sensitivity :  $-10\text{dB}\mu$  typical
- Adjacent Ch. selectivity : 70dB
- Spurious response : 70dB
- Intermod. rejection ratio : 68dB
- GPS interface : NMEA0183 ver 2.0

Specifications for DS-100 are measured in accordance with EN 301 025.



### FLUSH MOUNT KITS



MB-69

MB-75

**MB-69:** For mounting the IC-M401EURO to a panel.  
**MB-75:** For mounting the DS-100 to a panel.

### EXTERNAL SPEAKERS



SP-5

SP-10

**SP-5:** A large speaker for superior audio output.  
**SP-10:** A compact speaker, for use in limited spaces.

## Icom Inc.

1-1-32, Kamiminami, Hirano-ku, Osaka 547-0003, Japan Phone: 06 6793 5302 Fax: 06 6793 0013 URL: <http://www.icom.co.jp/world/index.html>

Count on us!

### Icom America Inc.

<Corporate Headquarters>  
2380 116th Avenue N.E., Bellevue, WA 98004, U.S.A.  
Phone: (425) 454-8155 Fax: (425) 454-1509  
URL: <http://www.icomamerica.com>  
<Customer Service> Phone: (425) 454-7619

### Icom Canada

Glenwood Centre #150-6165 Highway 17,  
Delta, B.C., V4K 5B8, Canada  
Phone: (604) 952-4266 Fax: (604) 952-0090  
URL: <http://www.icomcanada.com>

### Icom (Australia) Pty. Ltd.

A.B.N. 88 006 092 575  
290-294 Albert Street, Brunswick, Victoria, 3056, Australia  
Phone: 03 9387 0666 Fax: 03 9387 0022  
URL: <http://www.icom.net.au>

### Icom New Zealand

146A Harris Road, East Tamaki, Auckland, New Zealand  
Phone: 09 274 4062 Fax: 09 274 4708  
URL: <http://www.icom.co.nz>

### Icom (Europe) GmbH

Communication Equipment  
Himmelgeister Str. 100, D-40225 Düsseldorf, Germany  
Phone: 0211 346047 Fax: 0211 333639  
URL: <http://www.icomeurope.com>

### Icom Spain S.L.

Ctra. de Gracia a Manresa Km. 14,750  
08190 Sant Cugat del Valles Barcelona, SPAIN  
Phone: (93) 590 26 70 Fax: (93) 589 04 46  
URL: <http://www.icomspain.com>

### Icom (UK) Ltd.

Unit 9, Sea St., Herne Bay, Kent, CT6 8LD, U.K.  
Phone: 01227 741741 Fax: 01227 741742  
URL: <http://www.icomuk.co.uk>

### Icom France S.a

Zac de la Plaine, Rue Brindejonn des Moulinais  
BP 5804, 31505 Toulouse Cedex, France  
Phone: 561 36 03 03 Fax: 561 36 03 00  
URL: <http://www.icom-france.com>

### Asia Icom Inc.

6F No. 68, Sec. 1 Cheng-Teh Road,  
Taipei, Taiwan, R.O.C.  
Phone: (02) 2559 1899 Fax: (02) 2559 1874  
URL: <http://www.asia-icom.com>



Certificate Number Q14190

Icom Inc. (Japan), is an ISO9001 certification acquired company.

Your local distributor/dealer:

**Point electronics**

A- 1060 Wien, Stumpergasse 41 - 43

Tel.: +43/ 1/ 597 08 80/ 0 FAX: DW 40

[www.point.at](http://www.point.at) [mail@point.at](mailto:mail@point.at)